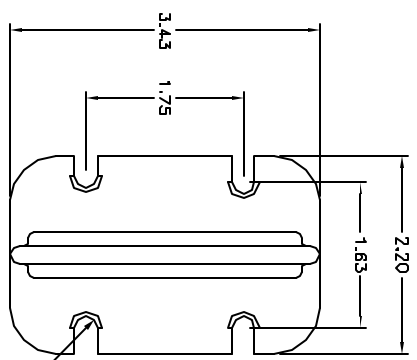
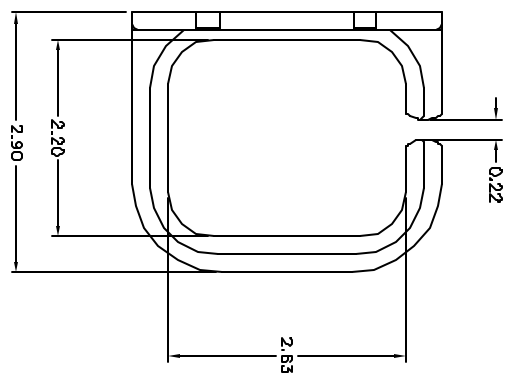
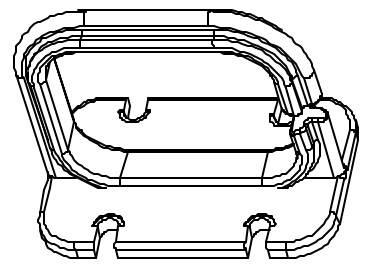
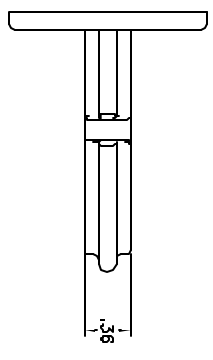


CATALOG NUMBER	DESCRIPTION
MCCPSR4	CABLE MANAGEMENT ACCESSORIES PLASTIC RINGS W/ADHESIVE
MCCPSRA4	CABLE MANAGEMENT ACCESSORIES PLASTIC RINGS W/ADHESIVE



R.12 (4) PLACES

- NOTES:
1. PARTS NOT TO HAVE VENDOR IDENTIFICATION
 2. MATERIAL: POLYCARBONATE (UL94 V-0); COLOR: BLACK
 3. BULK PACK: 150 STANDARD PACK, 50 UNITS PER BAG, 3 BAGS PER CARTON
 4. CABLE HANGER CAPACITY: 100 4-PAIR UTP CABLES.

REV.	EN	DATE	DESCRIPTION	CHK BY	APPD BY
A	4835	02/15/02	INITIAL RELEASE	PSM	MMA


Created in AUTOCAD

DIMENSIONS AND TOLERANCE PER UNLESS OTHERWISE SPECIFIED, DIMENSIONS ARE IN INCHES (MM). TOLERANCES:
 .xxx = ±.01 (.25)
 .xxx = ±.005 (.127)
 .xxx = ±.002 (.0508)

ACCEPTING AND OBTAINING DIMENSIONS OF SUPPLYING DOCUMENTATION PER QUANTITIES OR OTHER PURPOSES, YOU AGREE NOT TO BE LIABLE TO OTHERS FOR DAMAGES, INCLUDING AND NOT LIMITED TO REASONABLE ATTORNEY'S FEES, AND THAT YOU WILL WAIVE NO USE OF SAME WITHOUT PERMISSION.

PROJECT REFERENCE:
 MATERIAL: SEE NOTE NO.2

DRAWN BY: PAUL S. MAQUIRE 02/16/02
CHECKED BY: RAY RODDEN 02/15/02
APPROVED BY:

TITLE:  **Hubbell Premier Wiring**
HUBBELL INCORPORATED (Division)
 4411 North 11th Street, Irvington, Connecticut 06032

RING, PLASTIC MEDIUM

SIZE: DRAWING NO. **C777872**

SCALE: 1/1 SHEET 1 OF 1

REV. **A**